

DS-2CC1181P(N)-A



Key Features

- Compact design
- SONY CCD
- Digital Noise Reduction (DNR)
- Digital Wide Dynamic Range
- IR cut filter with auto switch
- Min. illumination: Color: 0.001 Lux @ (F1.2, AGC ON);B/W: 0.0001 Lux @ (F1.2, AGC ON)
- OSD menu
- Smart IR mode
- Eclipse
- Auto iris with DC drive
- Auto white balance, auto gain control, electronic shutter control and backlight compensation
- Internal/Power synchronization
- Convenient back focus adjustment

Specification

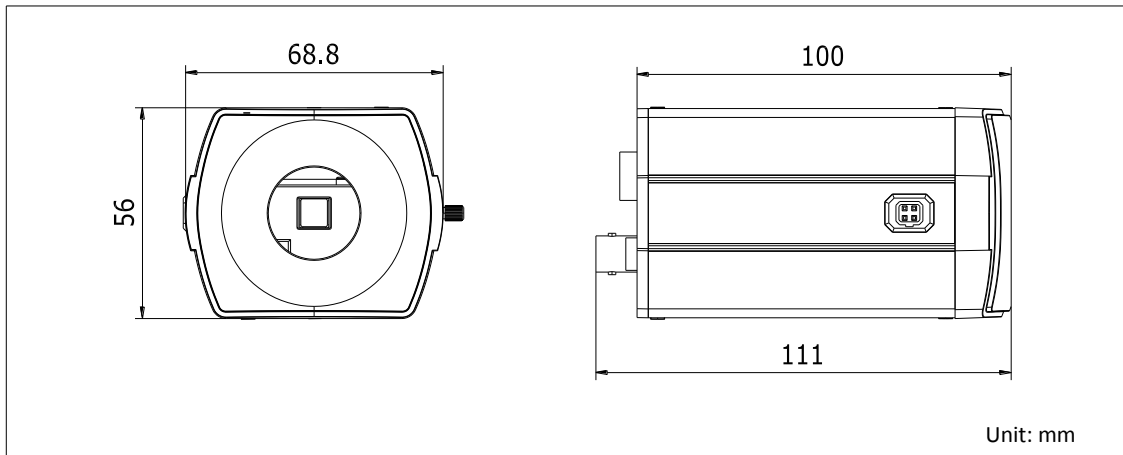
Model	DS-2CC1181P(N)-A
Parameter	600 TVL CCD Box Camera
Camera	
Image Sensor	1/3" SONY CCD
Signal System	PAL/NTSC
Effective Pixels	PAL: 752 (H) × 582 (V) NTSC: 768 (H) × 494 (V)
Min. Illumination	Color: 0.001 Lux @ (F1.2, AGC ON) B/W: 0.0001 Lux @ (F1.2, AGC ON)
Shutter speed	PAL: 1/50 s to 1/10,000 s NTSC: 1/60 s to 1/10,000 s

Lens Mount	C/CS mount
Auto Iris	DC drive
Day & Night	IR cut filter with auto switch
Horizontal Resolution	600TVL (Color), 650 TVL (B/W)
Synchronization	Internal/Power synchronization
Video Output	1Vp-p composite output (75 Ω/BNC)
S/N Ratio	More than 62 dB
Menu	
Camera ID	On/Off (52 letters, position adjustable)
D/N Mode	Auto /Day /Night/ EXT1/ EXT2
White Balance	ATW/PUSH/USER1/USER2/ANTI CR/MANUAL/PUSH LOCK
Private Mask	On/Off, maximum 8 zones
Motion Detection	On/Off
Back Light	BLC/HLC/Off
Language	Chinese/ English/ Japanese/ German/ French/ Russian/ Portuguese/ Spanish
Function	SMART IR,ATR, HLC, DNR, Sharpness, Brightness, Contrast, Hue, Gain, Mirror, Defect Pixel Correction
General	
Working Temperature/Humidity	-10 °C - 60 °C (14 °F - 140 °F) Humidity 90% or less (non-condensing)
Power Supply	24 V AC ± 10%, 12 V DC ± 10%
Power Consumption	Max. 2 W (Max. 4 W with IR cut filter on)
Dimensions	68.8 x 56 x 111 mm (2.71" × 2.20" × 4.37")
Weight	400 g (0.88 lbs)

Order Models

DS-2CC1181P-A

DS-2CC1181N-A

Dimensions**Accessories**

Indoor wall mount
DS-1212ZJ



Indoor/outdoor wall mount
DS-1213ZJ



Indoor/outdoor camera housing
DS-1311HZ (DS-1312HZ, DS-1313HZ)



Indoor camera housing
DS-1320HZ