

# DS-2AE7168/7164(N)

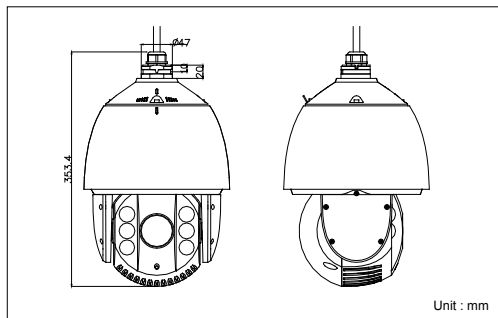
## 700TVL IR PTZ Dome Camera



### Key features

- 1/4" Sony CCD / 1/3" Sony CCD
- 700TVL horizontal resolution
- 36X / 23X optical zoom, 16X digital zoom
- 100m IR distance
- True Day/Night, Digital WDR
- 3D intelligent positioning

### Dimensions



### Accessories



DS-1601ZJ



DS-1661ZJ



DS-1662ZJ

	DS-2AE7168(N)-A	DS-2AE7164(N)-A
<b>Camera</b>		
Image Sensor	1/4" Sony CCD	1/3" Sony CCD
Effective Pixel	PAL: 976(H)×582(V), NTSC: 976(H)×494(V)	
Horizontal Resolution	Color: 700 TVL, B/W: 750 TVL	
Min. illumination	Color: 0.02Lux/(F1.6, AGC ON), 0.0008Lux/(F1.6, AGC ON, sensitivity×256) B/W: 0.002Lux/(F1.6, AGC ON), 0.00008Lux/(F1.6, AGC ON, sensitivity×256) 0 Lux with IR	
White Balance	Auto / Manual / ATW / Indoor / Outdoor	
AGC	Auto / Manual	
S / N Ratio	≥ 50dB	
Digital Noise Reductio	DNR	
Wide Dynamic Range	128X Digital WDR	
Shutter Speed	PAL: 1 ~1/10,000s, NTSC: 1 ~1/10,000s	
Day & Night	IR Cut Filter	
Digital Zoom	16X	
Privacy Mask	Up to 8 zones, maximum 8 zones on a same image, multiple colors and mosaics optional	
Focus Model	Auto / Semiautomatic / Manual	
<b>Lens</b>		
Focal Length	3.3 ~119mm, 36X	4 ~ 92mm, 23X
Zoom Speed	Approx. 6.0 s(Optical Wide-Tele)	Approx 4.0s(Optical Wide-Tele)
Angle of View	57.1~1.7 degree(Wide-Tele)	57.58 ~3.12 degree(Wide-Tele)
Min. Working Distance	10 ~1000mm (Wide-Tele)	
Aperture Range	F1.4 ~ F3.7	F1.6 ~ F3.7
<b>Pan and Tilt</b>		
Pan / Tilt Range	Pan: 360°endless;Tilt: -15° ~90° (Auto Flip)	
Pan / Tilt Speed	Pan Manual Speed: 0.1° ~160°/s, Pan Preset Speed: 240°/s Tilt Manual Speed: 0.1° ~120°/s, Tilt Preset Speed: 200°/s	
Proportional Zoom	Rotation speed can be adjusted automatically according to zoom multiples	
Number of Preset	256	
Patrol	8 patrols, up to 32 presets per patrol	
Pattern	4 patterns, with the total recording time not less than 10 minutes	
Power-off Memory	Support	
Park Action	Preset / Patrol / Pattern / Pan / Tilt / Auto / Random / Frame / Panorama scan	
PTZ Position Display	On / Off	
Compass	Support , the north can be set	
Scheduled Task	Preset / Patrol / Pattern / Pan / Tilt / Auto / Random / Frame / Panorama scan	
<b>Infrared</b>		
IR Range	Up to 100m	
IR irradiation angle	Automatically adjusted, depending on the zoom ratio	
<b>Input/ Output</b>		
Video Output	1.0V[p-p] / 75Ω, PAL / NTSC composite, BNC	
<b>General</b>		
RS-485 Protocols	HIKVISION, Pelco-P, Pelco-D, self-adaptive	
Power	24 VAC Max.30W(IR On, Heater On); Max.24W(IR On); Max.15W(IR Off, Heater Off)	
Working Temperature	-30°C ~65°C (-22°F ~149°F)	
Humidity	90% or less	
Protection Level	IP66 TVS 4,000V lightning protection, surge protection and voltage transient protection	
Dimensions	Φ245 x 399mm (Φ9.65" x 15.71")	
Weight (approx.)	5.5kg(12.13lbs)	
Mount Option	Long-arm wall mount: DS-1601ZJ; Pendent mount: DS-1661ZJ(20cm) or DS-1662ZJ(50cm); Ceiling mount: DS-1663ZJ	

### Order models

DS-2AE7168-A : PAL, 24VAC, outdoor  
DS-2AE7168N-A: NTSC, 24VAC, outdoor

DS-2AE7164-A : PAL, 24VAC, outdoor  
DS-2AE7164N-A: NTSC, 24VAC, outdoor